

# MOROOKA EUROPE

HIGH EFFICIENCY IN MOTION



## MST-700VDR

Max. Payload 4T.

Full Rotating  
Rubber crawler carrier

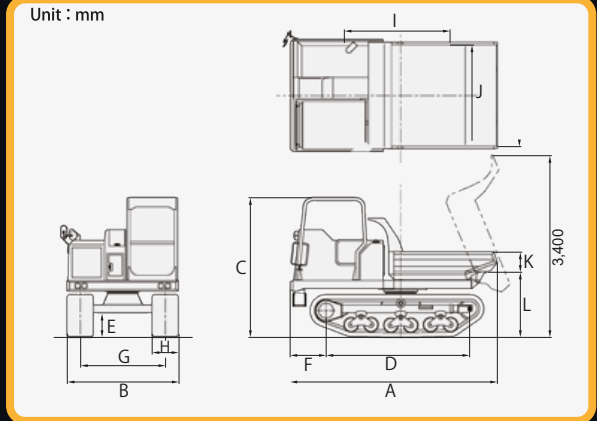
CARRIER for SOFT, SANDY and  
ROUGH TERRAIN



360° rotation brings more security, less stress and fatigue to the driver



Easy Control with HST drive system



Model		MST-700VDR								
<b>PERFORMANCE</b>			<b>DUMP BODY</b>				<b>TANK CAPACITY</b>			
Maximum Payload	Kg	4,000	Overall Length	I	mm	2,000	Fuel Tank	ℓ	105	
Loading Capacity	m <sup>3</sup>	1.20	Overall Width	J	mm	1,900	Hydraulic Tank	ℓ	85	
Speed1 Low	Km/h	7.6	Overall Height	K	mm	370	Liquide cooling Tank	ℓ	6,7	
Speed2 High	Km/h	10.8	Ground Clearance	L	mm	1,220	<b>DRIVE SYSTEM</b>			
Ground Pressure(empty)	kPa	24,4	<b>ENGINE</b>				<b>HST</b>			
Ground Pressure(Loaded)	kPa	43,5	Model	KUBOTA V3307 Tier 4 final Stage 5			<b>GRADEABILITY</b>			
<b>MACHINE DIMENSION</b>			Fully loaded: 27 % (15 degree) Continuous							
Machine Weight	Kg	5,100	Nominal Output/rpm	HP(kw)/rpm	70.4(52.5)/2,600		<b>OTHER</b>			
Overall Length	A	mm	Torque	N.m/min-1	258.6/1,500		<b>Cabin (ROPS/FOPS) Joystick control No DEF Maintenance</b>			
Overall Width	B	mm	<b>HYDRAULIC PUMP</b>							
Overall Height	C	mm	<b>Main Pump</b>		2x variable displacement axial piston pump					
Wheelbase	D	mm	<b>Pilot pump</b>		1x gear pump					
Min. Ground Clearance	E	mm	<b>HYDRAULIC MOTOR</b>							
Front Overhang	F	mm	<b>Travel Motor</b>		2x variable displacement axial piston motors					
Crawler Distance	G	mm	<b>Swing Motor</b>		1x axial piston motor					
Crawler Width	H	mm	500		500 x 90 x 78					
Crawler Size		mm	500 x 90 x 78							

Remarks: Specification may be changed without any notice.

**MOROOKA EUROPE**

Im Neugrund 14  
64521 Gross-Gerau, Germany  
Tel: +49 (0)61529778-0  
Fax: +49 (0)61529778-15  
Web: www.morookaeurope.com

Contact