



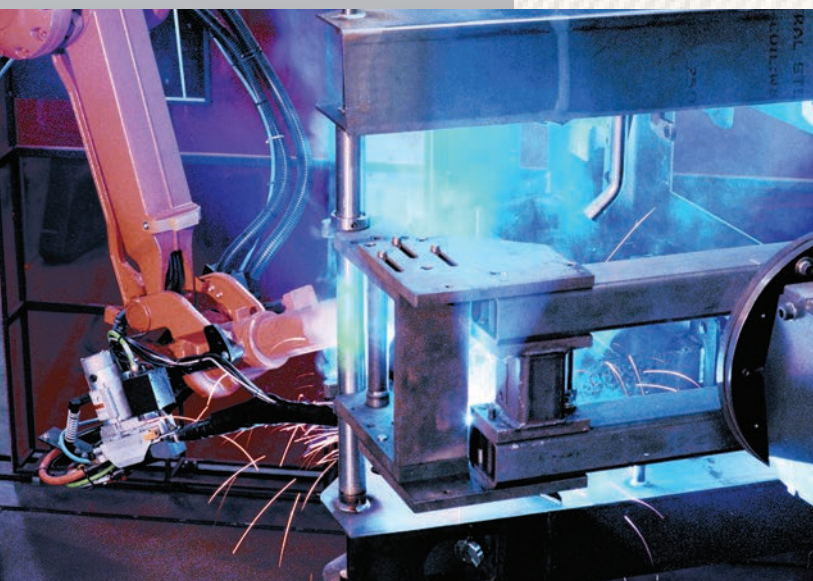
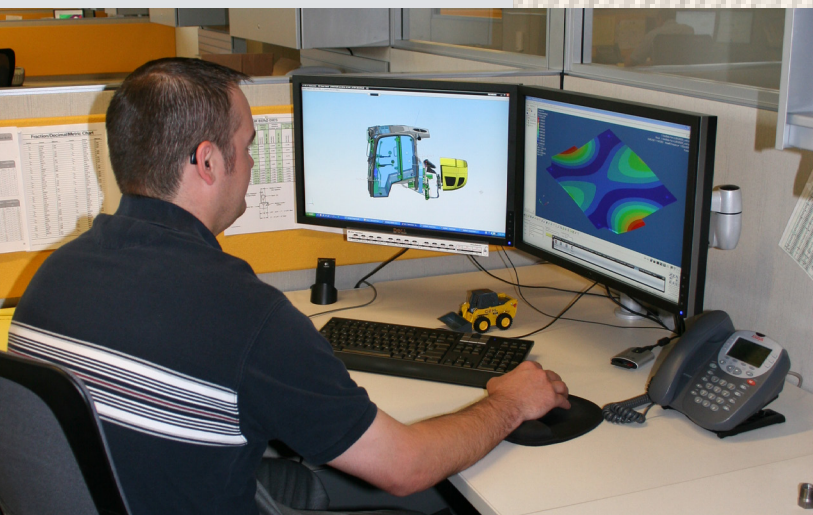
# SKID STEER LOADERS

RADIAL & VERTICAL LIFT



2012 ▲ 2026 ▲ 1350R ▲ 1500R ▲ 1650R ▲ 1900R ▲ 2200R ▲ 2600R  
2700V NXT2 ▲ 3300V NXT2 ▲ 4000V

# A LEGACY OF INNOVATION



WHAT BEGAN IN THE 19TH CENTURY AS AN AGRICULTURAL IMPLEMENT MANUFACTURER HAS GROWN INTO A 21ST CENTURY EQUIPMENT POWERHOUSE - MUSTANG COMPACT EQUIPMENT.

Known in the early years as the Owatonna Manufacturing Company, Mustang was among the first to make what is known today as the skid steer loader. Since that time, Mustang has combined old-school experience with innovative processes to offer one of the broadest lines of compact equipment available today.

**MUSTANG. THE ORIGINAL WORKHORSE.**



# SKID STEERS: LEADING THE HERD

Building its first skid steer loader in 1965, Mustang was a true pioneer in the equipment world. Almost fifty years later, Mustang continues the tradition with one of the most complete lines of skid steer loaders on the market today.

With eleven models ranging from 386 kg to an industry-leading 1814 kg of operating capacity, Mustang offers both radial- and vertical-lift models.



## RADIAL LIFT



2012



2026



1350R



1500R



1650R



1900R



2200R



2600R

## VERTICAL-LIFT



2700V  
NXT2



3300V  
NXT2



4000V



# RADIAL-LIFT & VERTICAL-LIFT

▲ RADIAL-LIFT and ▲ VERTICAL-LIFT

## LOADING OR LIFTING - WE HAVE THE MACHINE FOR YOU

### RADIAL LIFT

Offers enhanced performance in excavating, grading and digging below grade applications. Due to the radial lift path, the maximum reach is greater at the middle of the lift height.

### SINGLE PIN DESIGN

Provides superior durability in loading and pushing applications.

### DURABLE BUILD

Up to 114 mm width lift arm construction delivers superior strength and rigidity.



### EXCELLENT FORWARD REACH

The Mustang radial lift skid steer loaders provide excellent forward reach at the middle of the lift path. This provides excellent performance for loading flatbed trucks, backfilling or dumping over a wall.



## VERTICAL LIFT

Providing more reach at full lift height is optimal for applications that require loading and stacking at high heights. By keeping the load closer to the machine, lift capacities are increased over radial-lift models.

## SINGLE PLANE LIFT ARM

Design features large diameter pins aligned in a single plane for best-in-class vertical and lateral strength and rigidity.



lift heights from 3310 mm to 3647 mm



## X-TYPE

Upper-rear channel support welded to the top and between the load arms provides added rigidity without obstructing rear visibility.

## TRUE VERTICAL

The 4000V has a true vertical lift path. The 2700V NXT2 and 3300V NXT2 have a near vertical path.



# SMALL FRAME SKID STEER LOADERS

▲ POWER and ▲ PERFORMANCE

## COMPACT POWERHOUSES: MODELS 2012 & 2026



386 kg RATED  
OPERATING CAPACITY

### LOW OVERALL HEIGHT

Gain access to low clearance sites and buildings.

2012 1897 mm

2026 1786 mm

### LOW-PROFILE LIFT ARM

A high-strength, low-profile design maximizes operator visibility for added performance and safety.



LIFT HEIGHT  
2438 mm



LIFT HEIGHT  
2746 mm

### LEVEL II FOPS

Robust operator station design provides added protection for the operator. *models 2012 and 2026*

### LOW PROFILE DESIGN

Low profile design and narrow width make working in small spaces easy.

### SELF-LEVELING

Hydraulic self-leveling is available as an option.

*models 2012 and 2026*



### 476 kg RATED OPERATING CAPACITY

The optional counterweight increases the operating capacity to 533 kg.

### YANMAR STAGE 3A ENGINES

Yanmar Stage 3A 3-cylinder naturally-aspirated engine provides the power you need.

|      |                   |        |
|------|-------------------|--------|
| 2012 | 24 hp [17.9 kW]   | 86 Nm  |
| 2026 | 37.3 hp [27.8 kW] | 108 Nm |

# MID-FRAME SKID STEER LOADERS

▲ POWER and ▲ PERFORMANCE

**ALL-NEW**

## MID-SIZED MUSCLE: MODELS 1350R, 1500R & 1650R

### STAGE 3A YANMAR DIESEL ENGINES

|       |                 |        |
|-------|-----------------|--------|
| 1350R | 46.9 hp [35 kW] | 144 Nm |
| 1500R | 46.9 hp [35 kW] | 144 Nm |

### STAGE 3B YANMAR DIESEL ENGINES

|       |                   |        |
|-------|-------------------|--------|
| 1650R | 69.9 hp [52.1 kW] | 241 Nm |
|-------|-------------------|--------|

### LEVEL II FOPS

Robust operator station design provides added protection for the operator.

### CAB-FORWARD DESIGN

All-new cab design is mounted forward on the chassis and the seat is mounted higher for exceptional visibility to the front, rear, sides and cutting edge.

### EASY ACCESS HYDRAULICS

Auxiliary hydraulics mounted on the top of the lift arm for easy access and fast attachment connect and disconnect.



### RATED OPERATING CAPACITY

|       | STANDARD | COUNTERWEIGHT |
|-------|----------|---------------|
| 1350R | 612 kg   | 680 kg        |
| 1500R | 680 kg   | 748 kg        |
| 1650R | 748 kg   | 816.5 kg      |





### HYDRAULIC FLOW

1350R 64.4 L/min  
1500R 64.4 L/min  
1650R 71.4 L/min

### DURABLE CYLINDERS

Induction-hardened, chrome-plated rods are used for lift and tilt cylinders, providing added durability.

### LOW-PROFILE LIFT ARM

New lift arm increases the width between cylinders for better entry and sight lines.

### LIFT HEIGHT

|       |         |
|-------|---------|
| 1350R | 2784 mm |
| 1500R | 3012 mm |
| 1650R | 3023 mm |

### SELECTABLE SELF-LEVELING

Hydraulic self-leveling with on-off control for the operator is available as an option.

### DIGITAL COLOR DISPLAY

This information center shows real time fuel consumption, engine RPM, machine hours, engine diagnostic codes, warning indicators and much more.



# LARGE-FRAME SKID STEER LOADERS

▲ POWER and ▲ PERFORMANCE

## SUPERIOR SKID STEERS: MODELS 1900R, 2200R & 2600R

### STAGE 3A\* YANMAR DIESEL ENGINES

|              |                   |          |
|--------------|-------------------|----------|
| <b>1900R</b> | 69.9 hp [52.1 kW] | 244.2 Nm |
| <b>2200R</b> | 72 hp [53.7 kW]   | 280 Nm   |
| <b>2600R</b> | 72 hp [53.7 kW]   | 280 Nm   |

### LEVEL II FOPS

Robust operator station design provides added protection for the operator.

### CAB-FORWARD DESIGN

All-new cab design is mounted forward on the chassis and the seat is mounted higher for class-leading visibility to the front, rear, sides and cutting edge.

### RADIAL-PISTON DRIVE MOTORS

Maintenance-free, radial-piston drive motors provide high start-up torque and maximum ground speed up to 20 km/hr for quick acceleration.



### LONG WHEELBASE

A long wheelbase provides a smoother ride and a lower center of gravity for added stability.

|              |         |
|--------------|---------|
| <b>1900R</b> | 1067 mm |
| <b>2200R</b> | 1092 mm |
| <b>2600R</b> | 1257 mm |

### RATED OPERATING CAPACITY

|              | STANDARD | COUNTERWEIGHT |
|--------------|----------|---------------|
| <b>1900R</b> | 862 kg   | 957 kg        |
| <b>2200R</b> | 998 kg   | 1075 kg       |
| <b>2600R</b> | 1179 kg  | 1261 kg       |



\* Transition to Stage 3B engine scheduled for Q2/Q3 2015



### LOW-PROFILE LIFT ARM

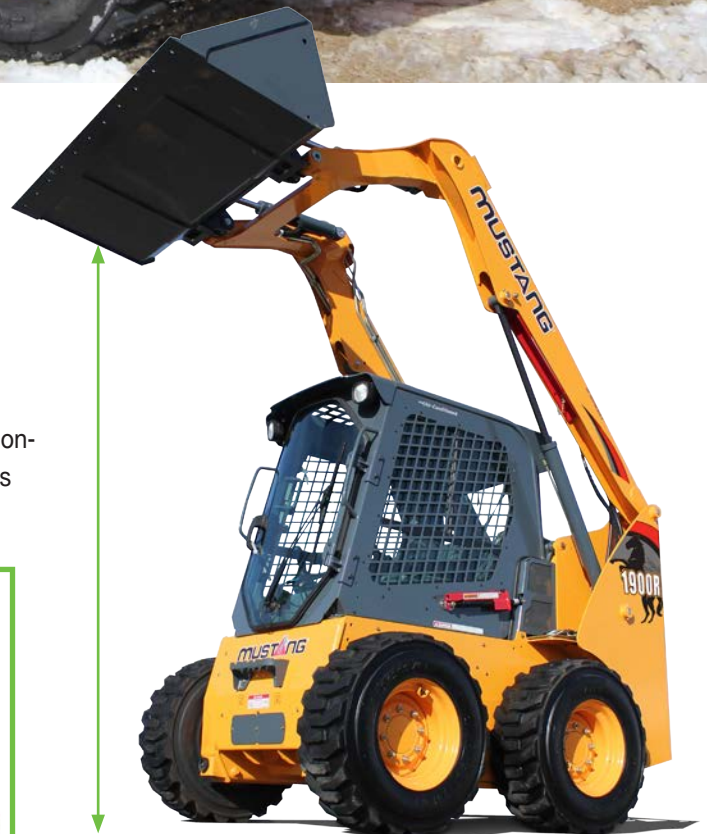
A high-strength, low-profile design maximizes operator visibility to the front and side for added performance and safety.

### LIFT HEIGHT

|       |         |
|-------|---------|
| 1900R | 3061 mm |
| 2200R | 3124 mm |
| 2600R | 3124 mm |

### SELECTABLE SELF-LEVELING

Hydraulic self-leveling with on-off control for the operator is available as an option.



### BETWEEN-THE-TIRE

design keeps machine length short and compact. *Model 1900R*



### OVER-THE-TIRE

design provides wider access and improved visibility. *Models 2200R and 2600R*

# VERTICAL LIFT SKID STEER LOADERS

▲ POWER and ▲ PERFORMANCE

## VERTICAL LIMIT: MODELS 2700V NXT2, 3300V NXT2, & 4000V

### STAGE 3A\* YANMAR DIESEL ENGINES

|                   |                 |        |
|-------------------|-----------------|--------|
| <b>2700V NXT2</b> | 72 hp [53.7 kW] | 294 Nm |
| <b>3300V NXT2</b> | 72 hp [53.7 kW] | 294 Nm |

### VERTICAL-LIFT BOOM

High-strength, low-profile design increases operator visibility and lifts the load in a nearly vertical path on the 2700V NXT2 and 3300V NXT2.

### FUEL ECONOMY

Equipped with an electronic engine control and electronic hand and foot throttles\*, these units can be operated at partial throttle for lower sound levels and reduced fuel consumption.

### LEVEL II FOPS

Robust operator station design provides added protection for the operator.

### CAB-FORWARD DESIGN

All-new cab design is mounted forward on the chassis and the seat is mounted higher for exceptional visibility to the front, rear, sides and cutting edge.

### LONG WHEELBASE

A long wheelbase provides a smoother ride and a lower center of gravity for added stability.

|                   |         |
|-------------------|---------|
| <b>2700V NXT2</b> | 1257 mm |
| <b>3300V NXT2</b> | 1257 mm |
| <b>4000V</b>      | 1387 mm |

### RATED OPERATING CAPACITY

|                   | STANDARD | COUNTERWEIGHT |
|-------------------|----------|---------------|
| <b>2700V NXT2</b> | 1225 kg  | 1361 kg       |
| <b>3300V NXT2</b> | 1497 kg  | N/A           |
| <b>4000V</b>      | 1814 kg  | N/A           |



\*foot throttle not available with hand/foot controls



\* Transition to Stage 3B engine scheduled for Q2/Q3 2015





### SELECTABLE SELF-LEVELING

Hydraulic self-leveling with on-off control for the operator is available as an option. Models 2700V NXT2 & 3300V NXT2

### "SOFT-SHIFT" DRIVE

Standard two-speed "soft-shift" drive provides smooth transitions between low/high speeds for increased operator comfort.

Models 2700V NXT2 & 3300V NXT2

### LIFT HEIGHT

|            |         |
|------------|---------|
| 2700V NXT2 | 3310 mm |
| 3300V NXT2 | 3332 mm |
| 4000V      | 3647 mm |

### STANDARD SELF-LEVELING

Hydraulic self-leveling is standard equipment on the model 4000V.

### VERTICAL-LIFT BOOM

High-strength, low-profile design increases operator visibility and lifts the load in a true vertical path on the model 4000V.

### SMOOTH OPERATION

Hydraglide™ ride control system allows the lift arm to "float" when transporting loads, minimizing loss of material, and increased operator comfort.



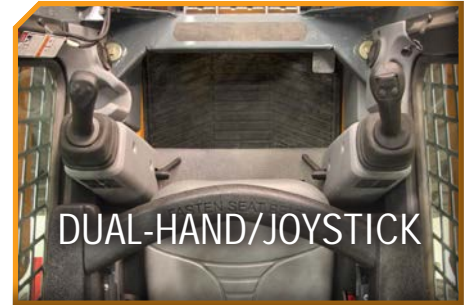
WORLD'S MOST  
POWERFUL SKID  
STEER LOADER  
99 hp [74 kW]



# OPERATOR STATION

▲ COMFORT and ▲ SAFETY

## GET IN CONTROL



### CHOOSE YOUR RIDE

A high-back, five-way adjustable seat comes as standard. Optional air-ride suspension seat or mechanical suspension seat provide enhanced comfort.

### DIGITAL COLOR DISPLAY

This information center shows real time fuel consumption, engine RPM, machine hours, engine diagnostic codes, warning indicators and much more. *Models 1350R, 1500R & 1650R*



## OPERATOR STATION COMFORT FEATURES



### POWER PORT

Standard 12-volt accessory plug keeps you charged up all day.



### CLIMATE CONTROL

Heat is standard on all cab models. Air conditioning is an option on select models.



### RADIO OPTION

Factory installed, this radio option customizes your cab.



### SOUND REDUCTION MATERIAL

Suppresses outside noise for a quieter operator environment.

### MULTIPLE AIR VENTS

Six adjustable vents throughout the cab provide optimal temperature control.

### ADJUSTABLE SEAT

### PADDED, ADJUSTABLE ARMRESTS

### OPERATOR PRESENCE

The machine safety system allows operation only when the user is on the seat and the restraint bar is lowered into position.

### 51 mm SEATBELT

Optional 76 mm seatbelt available.

### CUP HOLDER

### ADJUSTABLE CONTROL TOWERS

extend and retract to provide personalized comfort.

*R Series and Vertical-Lift Model Cab Shown*

### PRESSURIZED CAB

An optional pressurized, sealed cab enclosure provides a cleaner, quieter operating environment.

### EASY ENTRY AND EXIT

Large entry area allows for easy access to the operator station.

### VISIBILITY

Wide opening in the front of the machine and large screen windows provide high visibility for increased safety and precise placement.

# SERVICE & SAFETY

▲ MAINTENANCE and ▲ SAFETY



EXCELLENT VISIBILITY

FRONT

Model 1350R shown



LEFT SIDE



REAR



RIGHT SIDE

## EXCELLENT VIEWS FROM ALL SIDES FOR SAFETY AND PRECISE OPERATION

Excellent visibility to the front, sides and rear of the machine allow for precise placement of loads and reduced jobsite incidents. A high-mounted seat provides an excellent vantage point to the attachment and cutting edge.





# LESS DOWN TIME PUTS MONEY IN YOUR POCKET

## SWING-OUT COOLER

provides improved access to engine bay area. Available on select models.



## SWING-OUT REAR DOOR

Rear door easily opens on hinges on right side, allowing full access to filters and fluid reservoirs for servicing and maintenance.

## LARGE ENGINE COVER

Cover is hinged and positioned by gas-springs to assist lifting and holding in place, and allows for easy return to closed position.

## SAFETY RESTRAINTS

Innovative restraints allows for safe and secure holding of the lift arm and cab while in the maintenance position.

## TILTABLE ROPS/FOPS ASSEMBLY

with gas-spring assist for easy internal access to the pumps, hydraulic valve bank and drive motors.

## FRONT CHASSIS CLEANOUT

Easy cleanout of foot area inside ROPS/FOPS.



# HYDRAULICS & ATTACHMENTS

▲ PERFORMANCE and ▲ VERSATILITY

## SELECTABLE SELF-LEVELING HYDRAULIC LIFT ACTION

keeps the bucket level throughout the raise/lift cycle. *Available on select models.*

## ELECTRONIC ATTACHMENT CONTROL OPTION

This factory-installed add-on allows for control of all attachments.



## PRECISION CONTROL

Standard proportional auxiliary hydraulic control gives the operator the ability to adjust attachment speeds with infinitely adjustable flow control. *Available on select models.*

Standard auxiliary detent (at full flow) allows the operator to set the hydraulic flow for continuous operation. *Available on select models.*

## STANDARD AUXILIARY HYDRAULIC FLOW RATES

|      |            |       |            |       |          |            |           |
|------|------------|-------|------------|-------|----------|------------|-----------|
| 2012 | 38.2 L/min | 1350R | 64.4 L/min | 1900R | 70 L/min | 2700V NXT2 | 89 L/min  |
| 2026 | 55 L/min   | 1500R | 64.4 L/min | 2200R | 89 L/min | 3300V NXT2 | 89 L/min  |
|      |            | 1650R | 71.4 L/min | 2600R | 89 L/min | 4000V      | 121 L/min |



## GET ATTACHED

With a wide variety of attachments available, Mustang Skid Steer Loaders are easily transformed to meet your customers' needs.

PALLET FORKS



ROCK BUCKET



TRENCHER



RAKE



SNOW REMOVAL



AUGER



STUMP GRINDER



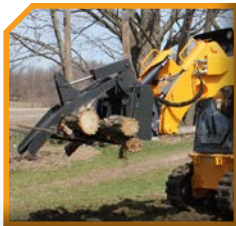
ROTOTILLER



MOWER



GRAPPLE BUCKET



GRADER BLADE



ANGLE BROOM



### ALL-TACH®

All models feature the easy-to-use All-Tach® (universal-style) attachment mounting system compatible with most allied attachments.

**SINGLE LEVER DESIGN** for simplicity and strength.

**HEAVY DUTY MOUNTING PLATE** design for increased rigidity over tube style.



### POWER-A-TACH®

Hydraulic Power-A-Tach® all-weather system option allows users to quickly install and remove attachments. An operator leaves the seat only to connect auxiliary hydraulics. This system is compatible with most allied attachments.



# ACCESSORIES

## CUSTOMIZE YOUR RIDE

Mustang offers a variety of accessories and upgrades that can be easily added to new or used equipment. These can help enhance an existing unit or customize one for a particular job. Whether you are looking to add a counterweight, boost your hydraulics, or enclose a cab with heat and air conditioning, Mustang has the tools you need to craft your ideal ride.





TIRE OPTIONS



CAB ENCLOSURE



HYDRAGLIDE™



CONTROL OPTIONS



ROAD HOMOLOGATION



RADIO



AIR CONDITIONING



HIGH-FLOW HYDRAULICS



TWO-SPEED DRIVE



POWER-A-TACH®



COUNTERWEIGHT



BACK-UP ALARM

# SPECIFICATIONS

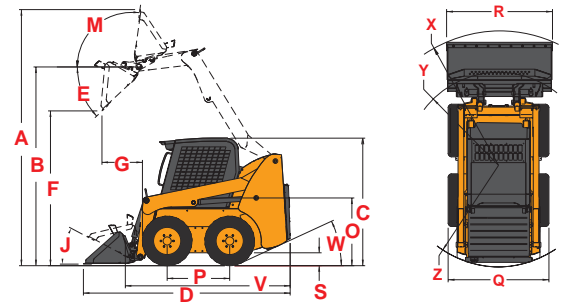
|                                  |                                                         | 2012                              | 2026                              | 1350R                             | 1500R                             | 1650R                             | 1900R                             |
|----------------------------------|---------------------------------------------------------|-----------------------------------|-----------------------------------|-----------------------------------|-----------------------------------|-----------------------------------|-----------------------------------|
| DIMENSIONS                       | A. Overall Operating Height – Fully Raised              | 3167 mm                           | 3546 mm                           | 3655 mm                           | 3876 mm                           | 3876 mm                           | 4013 mm                           |
|                                  | B. Height to Hinge Pin – Fully Raised                   | 2438 mm                           | 2746 mm                           | 2784 mm                           | 3023 mm                           | 3023 mm                           | 3061 mm                           |
|                                  | C. Overall Height to Top of ROPS                        | 1897 mm                           | 1786 mm                           | 1908 mm                           | 1948 mm                           | 1948 mm                           | 2032 mm                           |
|                                  | D. Overall Length with Bucket                           | 2576 mm w/<br>914 mm Bucket       | 2896 mm w/<br>1397 mm Bucket      | 3056 mm w/<br>1372 mm Bucket      | 3101 mm w/<br>1562 mm Bucket      | 3101 mm w/<br>1562 mm Bucket      | 3226 mm w/<br>1676 mm Bucket      |
|                                  | E. Dump Angle at Full Height                            | 46°                               | 42°                               | 40°                               | 38°                               | 38°                               | 42°                               |
|                                  | F. Dump Height                                          | 1836 mm                           | 2146 mm                           | 2098 mm                           | 2380 mm                           | 2380 mm                           | 2311 mm                           |
|                                  | G. Dump Reach at Full Height                            | 376 mm                            | 579 mm                            | 577 mm                            | 579 mm                            | 579 mm                            | 572 mm                            |
|                                  | J. Rollback at Ground                                   | 23°                               | 29°                               | 29°                               | 28°                               | 28°                               | 26°                               |
|                                  | M. Rollback Angle at Full Height                        | 100°                              | 99°                               | 82°                               | 99°                               | 99°                               | 96°                               |
|                                  | O. Seat to Ground Height                                | 879 mm                            | 828 mm                            | 846 mm                            | 904 mm                            | 904 mm                            | 991 mm                            |
|                                  | P. Wheelbase                                            | 775 mm                            | 876 mm                            | 955 mm                            | 988 mm                            | 988 mm                            | 1067 mm                           |
|                                  | Q. Overall Width - Less Bucket <sup>A</sup>             | 909 mm                            | 1229 mm                           | 1336 mm                           | 1605 mm                           | 1605 mm                           | 1638 mm                           |
|                                  | R. Bucket Width                                         | 914 mm                            | 1404 mm                           | 1372 mm                           | 1562 mm                           | 1562 mm                           | 1676 mm                           |
|                                  | S. Ground Clearance to Chassis                          | 150 mm                            | 152 mm                            | 201 mm                            | 160 mm                            | 160 mm                            | 165 mm                            |
|                                  | V. Overall Length - Less Bucket                         | 1905 mm                           | 2258 mm                           | 2342 mm                           | 2385 mm                           | 2385 mm                           | 2388 mm                           |
|                                  | W. Departure Angle                                      | 30°                               | 26°                               | 25°                               | 21°                               | 21°                               | 25°                               |
|                                  | X. Clearance Circle – Front w/ Bucket                   | 1473 mm                           | 1763 mm                           | 1842 mm                           | 1869 mm                           | 1869 mm                           | 2007 mm                           |
|                                  | Y. Clearance Circle – Front w/o Bucket                  | 833 mm                            | 1120 mm                           | 1120 mm                           | 1153 mm                           | 1153 mm                           | 1130 mm                           |
|                                  | Z. Clearance Circle – Rear                              | 1097 mm                           | 1374 mm                           | 1372 mm                           | 1466 mm                           | 1466 mm                           | 1486 mm                           |
| Standard Specification Tire Size | 5.70 x 12                                               | 27x8.5x15 HD                      | 10.00x16.5 HD                     | 10.00x16.5 HD                     | 10.00x16.5 HD                     | 10.00x16.5 HD                     |                                   |
| ENGINE                           | Make                                                    | Yanmar                            | Yanmar                            | Yanmar                            | Yanmar                            | Yanmar                            | Yanmar                            |
|                                  | Model                                                   | 3TNV82<br>Stage 3A                | 3TNV88<br>Stage 3A                | 4TNV88-BKMSR2<br>Stage 3A         | 4TNV88-BKMSR2<br>Stage 3A         | 4TNV98C-NMS2<br>Stage 3B          | 4TNV98<br>Stage 3A*               |
|                                  | Gross Power (kW) @ rpm                                  | N/A                               | 37.3 hp (27.8) @ 3000             | 46.9 hp (35) @ 2800               | 46.9 hp (35) @ 2800               | 69.9 hp (52.1) @ 2500             | 69.9 hp (52.1) @ 2500             |
|                                  | Net Power (kW) @ rpm                                    | 24 hp (17.9) @ 2400               | 35 hp (26) @ 2800                 | 45.9 hp (34.2) @ 2800             | 45.9 hp (34.2) @ 2800             | 68.4 hp (51.2) @ 2500             | 68.4 hp (51) @ 2500               |
|                                  | Maximum Torque @ rpm                                    | 86 Nm @ 1200                      | 108 Nm @ 1680                     | 144 Nm @ 1680                     | 144 Nm @ 1680                     | 241 Nm @ 1625                     | 244.2 Nm @ 1650                   |
|                                  | Displacement                                            | 1.3 L                             | 1.6 L                             | 2.19 L                            | 2.19 L                            | 3.3 L                             | 3.3 L                             |
| HYDRAULIC SYSTEM                 | Auxiliary Hydraulics – Standard                         | 38.2 L/min                        | 55 L/min                          | 64.4 L/min                        | 64.4 L/min                        | 71.4 L/min                        | 70 L/min                          |
|                                  | High-Flow Auxiliary Hydraulics – Option                 | N/A                               | N/A                               | N/A                               | N/A                               | N/A                               | 119 L/min                         |
|                                  | Reservoir Capacity                                      | 27.3 L                            | 30.3 L                            | 37.9 L                            | 41.6 L                            | 41.6 L                            | 30.3 L                            |
| ELECTRICAL SYSTEM                | Battery                                                 | 650 CCA                           | 675 CCA                           | 950 CCA                           | 950 CCA                           | 950 CCA                           | 950 CCA                           |
|                                  | Starter                                                 | 1.7 kW                            | 2.3 kW                            | 3.0 kW                            | 3.0 kW                            | 3.0 kW                            | 3.0 kW                            |
|                                  | Alternator                                              | 40-amp                            | 40-amp                            | 100-amp                           | 100-amp                           | 100-amp                           | 95-amp                            |
| CAPACITIES / WEIGHTS             | Rated Operating Capacity <sup>B</sup>                   | 386 kg                            | 476 kg                            | 612 kg                            | 680 kg                            | 748 kg                            | 862 kg                            |
|                                  | Rated Op. Capacity with Opt. Counterweight <sup>B</sup> | N/A                               | 533 kg                            | 680 kg                            | 748 kg                            | 816.5 kg                          | 957 kg                            |
|                                  | Fuel Tank                                               | 29 L                              | 39.4 L                            | 62.5 L                            | 62.5 L                            | 62.5 L                            | 62.5 L                            |
|                                  | Travel Speed – Maximum                                  | 8.9 km/hr                         | 9.5 km/hr                         | 12.9 km/hr                        | 11.9 km/hr                        | 12.6 km/hr                        | 12.1 km/hr                        |
|                                  | Travel Speed w/ Two-Speed Option - Maximum              | N/A                               | N/A                               | N/A                               | N/A                               | 19.5 km/hr                        | 20.1 km/hr                        |
|                                  | Operating Weight <sup>C</sup> – Approximate             | 1352 kg                           | 1814 kg                           | 2304 kg                           | 2671 kg                           | 2777 kg                           | 3121 kg                           |
| SOUND / VIBRATION                | Noise Level / Environmental Level (EU Dir. 00/14/EC)    | 101 dB(A)                         | 101 dB(A)                         | 101 dB(A)                         | 101 dB(A)                         | 101 dB(A)                         | 101 dB(A)                         |
|                                  | Operator Ear (EU Dir. 2006/42/EC)                       | 80 dB(A)                          | 85 dB(A)                          | 85 dB(A)                          | 85 dB(A)                          | 85 dB(A)                          | 85 dB(A)                          |
|                                  | Whole-Body Vibration (ISO 2631-1)                       | ≤ 0.81 m/s <sup>2</sup> (± 0.41k) | ≤ 0.79 m/s <sup>2</sup> (± 0.40k) | ≤ 0.81 m/s <sup>2</sup> (± 0.40k) | ≤ 0.73 m/s <sup>2</sup> (± 0.40k) | ≤ 0.97 m/s <sup>2</sup> (± 0.50k) | ≤ 0.79 m/s <sup>2</sup> (± 0.39k) |
|                                  | Hand-Arm Vibration (ISO 5349-1)                         | ≤ 0.93 m/s <sup>2</sup> (± 0.47k) | ≤ 1.93 m/s <sup>2</sup> (± 0.97k) | ≤ 1.90 m/s <sup>2</sup> (± 1.00k) | ≤ 1.60 m/s <sup>2</sup> (± 0.80k) | ≤ 1.53 m/s <sup>2</sup> (± 0.80k) | ≤ 1.20 m/s <sup>2</sup> (± 0.60k) |



| 2200R                             | 2600R                             | 2700V NXT2                        | 3300V NXT2                        | 4000V                             |
|-----------------------------------|-----------------------------------|-----------------------------------|-----------------------------------|-----------------------------------|
| 4089 mm                           | 4089 mm                           | 4252 mm                           | 4369 mm                           | 4745 mm                           |
| 3124 mm                           | 3124 mm                           | 3310 mm                           | 3332 mm                           | 3647 mm                           |
| 2057 mm                           | 2057 mm                           | 2057 mm                           | 2083 mm                           | 2083 mm                           |
| 3467 mm w/<br>1778 mm Bucket      | 3632 mm w/<br>1778 mm Bucket      | 3759 mm w/<br>1778 mm Bucket      | 3874 mm w/<br>1880 mm Bucket      | 4026 mm w/<br>2134 mm Bucket      |
| 40°                               | 40°                               | 42°                               | 42°                               | 31°                               |
| 2388 mm                           | 2388 mm                           | 2540 mm                           | 2502 mm                           | 2916 mm                           |
| 686 mm                            | 686 mm                            | 813 mm                            | 813 mm                            | 1003 mm                           |
| 28°                               | 28°                               | 29°                               | 29°                               | 31°                               |
| 95°                               | 95°                               | 94°                               | 94°                               | 100°                              |
| 1016 mm                           | 1016 mm                           | 1016 mm                           | 1041 mm                           | 1046 mm                           |
| 1092 mm                           | 1257 mm                           | 1257 mm                           | 1257 mm                           | 1387 mm                           |
| 1664 mm                           | 1664 mm                           | 1765 mm                           | 1829 mm                           | 2019 mm                           |
| 1778 mm                           | 1778 mm                           | 1778 mm                           | 1880 mm                           | 2134 mm                           |
| 203 mm                            | 203 mm                            | 203 mm                            | 229 mm                            | 185 mm                            |
| 2667 mm                           | 2832 mm                           | 2959 mm                           | 3023 mm                           | 3086 mm                           |
| 25°                               | 25°                               | 25°                               | 25°                               | 19°                               |
| 2223 mm                           | 2286 mm                           | 2286 mm                           | 2400 mm                           | 2248 mm                           |
| 1321 mm                           | 1422 mm                           | 1422 mm                           | 1422 mm                           | 1290 mm                           |
| 1524 mm                           | 1626 mm                           | 1689 mm                           | 1765 mm                           | 1791 mm                           |
| 12.00x16.5 HD                     | 12.00x16.5 HD                     | 12.00x16.5 HD                     | 14.00x17.5 HD                     | 14.00x17.5 HD                     |
| Yanmar                            | Yanmar                            | Yanmar                            | Yanmar                            | Cummins                           |
| 4TNV98T Stage 3A*                 | 4TNV98T Stage 3A*                 | 4TNV98T Stage 3A*                 | 4TNV98T Stage 3A*                 | QSB 4.5 Stage 3A*                 |
| 72 hp (53.7) @ 2500               | 72 hp (53.7) @ 2500               | 72 hp (53.7) @ 2500               | 72 hp (53.7) @ 2500               | 99 hp (74) @ 2200                 |
| 70.7 hp (52.7) @ 2500             | 70.7 hp (52.7) @ 2500             | 70.7 hp (52.7) @ 2500             | 70.7 hp (52.7) @ 2500             | N/A                               |
| 280 Nm @ 1600                     | 280 Nm @ 1600                     | 294 Nm @ 1650                     | 294 Nm @ 1650                     | 442 Nm @ 1300                     |
| 3.3 L                             | 3.3 L                             | 3.3 L                             | 3.3 L                             | 4.5 L                             |
| 90 L/min                          | 90 L/min                          | 89 L/min                          | 89 L/min                          | 121 L/min                         |
| 132.5 L/min                       | 132.5 L/min                       | 132 L/min                         | 132 L/min                         | 154 L/min                         |
| 30.3 L                            | 30.3 L                            | 40 L                              | 40 L                              | 63 L                              |
| 950 CCA                           | 950 CCA                           | 950 CCA                           | 950 CCA                           | 950 CCA                           |
| 3.0 kW                            | 3.0 kW                            | 3.0 kW                            | 3.0 kW                            | 3.0 kW                            |
| 95-amp                            | 95-amp                            | 95-amp                            | 95-amp                            | 130-amp                           |
| 998 kg                            | 1179 kg                           | 1225 kg                           | 1497 kg                           | 1814 kg                           |
| 1075 kg                           | 1261 kg                           | 1361 kg                           | N/A                               | N/A                               |
| 68.1 L                            | 81.4 L                            | 92.7 L                            | 92.7 L                            | 118 L                             |
| 12.9 km/hr                        | 12.9 km/hr                        | 12 km/hr                          | 13 km/hr                          | 10.5 km/hr                        |
| 19.2 km/hr                        | 19.2 km/hr                        | 19.2 km/hr                        | 19.6 km/hr                        | 18 km/hr                          |
| 3620 kg                           | 3719 kg                           | 3697 kg                           | 4123 kg                           | 5035 kg                           |
| 101 dB(A)                         | 101 dB(A)                         | 101 dB(A)                         | 101 dB(A)                         | 102 dB(A)                         |
| 85 dB(A)                          | 85 dB(A)                          | 85 dB(A)                          | 85 dB(A)                          | 85 dB(A)                          |
| ≤ 0.79 m/s <sup>2</sup> (± 0.39k) | ≤ 0.79 m/s <sup>2</sup> (± 0.39k) | ≤ 0.79 m/s <sup>2</sup> (± 0.39k) | ≤ 0.79 m/s <sup>2</sup> (± 0.39k) | ≤ 0.89 m/s <sup>2</sup> (± 0.45k) |
| ≤ 1.20 m/s <sup>2</sup> (± 0.60k) | ≤ 1.20 m/s <sup>2</sup> (± 0.60k) | ≤ 1.20 m/s <sup>2</sup> (± 0.60k) | ≤ 1.20 m/s <sup>2</sup> (± 0.60k) | ≤ 1.00 m/s <sup>2</sup> (± 0.50k) |

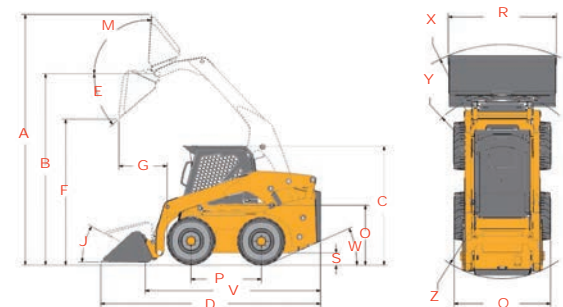
## REFERENCE DIAGRAMS

### RADIAL-LIFT

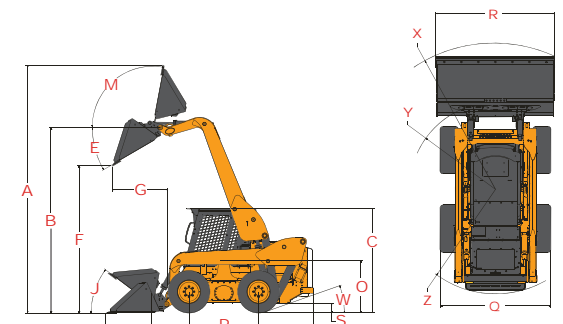


### VERTICAL-LIFT

#### 2700V NXT2 / 3300V NXT2



#### 4000V



- A Overall width is dependent upon the amount of wheel offset.
- B Per SAE J818, SAE J732, and ISO 14397
- C Weight of base unit with standard equipment, standard tires (heavy-duty flotation), standard dirt-construction bucket and 79 kg operator.

\* Transition to Stage 3B engine scheduled for Q2/Q3 2015

## ORIGINAL WORKHORSE

Mustang authorized dealers offer a full line of compact equipment, backed up by exceptional sales, service and parts experience.

For more information on Mustang equipment, visit [mustangmfg.com](http://mustangmfg.com)

Mustang reminds users to read and understand the operator's manual before operating any equipment. Also, make sure all safety devices and shields are in place and functioning properly.

Mustang reserves the right to add improvements or make changes in specifications at any time without notice or obligation.



Mustang Mfg

<sup>1</sup> Adjustable control towers and armrests available on joystick and hand/foot control configurations only.

<sup>2</sup> Foot throttle on hand control units only.

<sup>3</sup> Hydraglide™ Ride Control is standard with pilot controls and hands only controls.

<sup>4</sup> Regional regulations apply.



MILE

Rue des Andains, 2, B-1360 Perwez  
Tel: +33 240092162

○ STANDARD ● OPTIONAL

|                                                    | 2012 | 2026 | 1350R | 1500R | 1650R | 1900R | 2200R | 2600R | 2700V NXT2 | 3300V NXT2 | 4000V |
|----------------------------------------------------|------|------|-------|-------|-------|-------|-------|-------|------------|------------|-------|
| <b>CONTROLS</b>                                    |      |      |       |       |       |       |       |       |            |            |       |
| Hands-Only                                         | ○    | ○    | ●     | ●     | ●     |       |       |       |            |            |       |
| Dual-Hand Controls                                 |      |      |       |       |       | ●     | ●     | ●     | ●          | ●          | ●     |
| Hand/Foot Controls                                 |      | ○    | ●     | ●     | ●     | ●     | ●     | ●     | ●          | ●          | ●     |
| Joystick Controls                                  |      |      |       |       | ●     | ●     | ●     | ●     | ●          | ●          | ●     |
| <b>ENGINE</b>                                      |      |      |       |       |       |       |       |       |            |            |       |
| Engine Auto-Shutdown System                        |      | ●    | ○     | ○     | ○     | ○     | ○     | ○     | ○          | ○          | ○     |
| Engine Block Heater                                | ●    | ●    | ●     | ●     | ●     | ●     | ●     | ●     | ●          | ●          | ●     |
| Turbo-Charged Engine                               |      |      |       |       |       |       | ○     | ○     | ○          | ○          | ○     |
| Swing-out Cooler                                   |      |      | ○     | ○     | ○     |       |       |       |            |            | ○     |
| <b>HYDRAULICS</b>                                  |      |      |       |       |       |       |       |       |            |            |       |
| Auxiliary Hydraulics                               | ○    | ○    | ○     | ○     | ○     | ○     | ○     | ○     | ○          | ○          | ○     |
| High-Flow Auxiliary Hydraulics                     |      |      |       |       |       | ●     | ●     | ●     | ●          | ●          | ●     |
| <b>OPERATOR STATION</b>                            |      |      |       |       |       |       |       |       |            |            |       |
| Adjustable Arm Rests / Control Towers <sup>1</sup> |      |      |       |       |       | ○     | ○     | ○     | ○          | ○          | ○     |
| Heating                                            | ●    | ●    | ●     | ●     | ●     | ●     | ●     | ●     | ●          | ●          | ●     |
| Air Conditioning                                   |      |      |       |       |       | ●     | ●     | ●     | ●          | ●          | ●     |
| High-Back Adjustable Seat                          | ○    | ○    | ○     | ○     | ○     | ○     | ○     | ○     | ○          | ○          |       |
| Suspension Seat - Mechanical                       | ●    | ●    | ●     | ●     | ●     | ●     | ●     | ●     | ●          | ●          | ○     |
| Suspension Seat - Air Ride                         |      |      | ●     | ●     | ●     | ●     | ●     | ●     | ●          | ●          | ●     |
| Cab Enclosure                                      | ●    | ●    | ●     | ●     | ●     | ●     | ●     | ●     | ●          | ●          | ●     |
| Foot and Hand Throttles <sup>2</sup>               | ○    | ○    | ○     | ○     | ○     | ○     | ○     | ○     | ○          | ○          | ○     |
| Full Instrumentation                               |      | ○    | ○     | ○     | ○     | ○     | ○     | ○     | ○          | ○          | ○     |
| Horn                                               | ●    | ●    | ○     | ○     | ○     | ○     | ○     | ○     | ○          | ○          | ○     |
| Integral Access Plate (removable)                  | ○    | ○    | ○     | ○     | ○     | ○     | ○     | ○     | ○          | ○          | ○     |
| Operator Restraint Bar                             | ○    | ○    | ○     | ○     | ○     | ○     | ○     | ○     | ○          | ○          | ○     |
| ROPS/FOPS Level II Overhead Guard                  | ○    | ○    | ○     | ○     | ○     | ○     | ○     | ○     | ○          | ○          | ○     |
| Sound Reduction Material                           |      | ●    | ○     | ○     | ○     | ○     | ○     | ○     | ○          | ○          | ○     |
| Work Lights - Front and Rear                       | ○    | ○    | ○     | ○     | ○     | ○     | ○     | ○     | ○          | ○          | ○     |
| Road Homologation <sup>4</sup>                     | ●    | ●    | ●     | ●     | ●     | ●     | ●     | ●     | ●          | ●          | ●     |
| <b>PERFORMANCE</b>                                 |      |      |       |       |       |       |       |       |            |            |       |
| All-Tach® Attachment Mounting System               | ○    | ○    | ○     | ○     | ○     | ○     | ○     | ○     | ○          | ○          | ○     |
| Power-A-Tach® Attachment Mounting System           |      |      | ●     | ●     | ●     | ●     | ●     | ●     | ●          | ●          | ●     |
| Anti-Vandalism Protection                          | ○    | ○    | ○     | ○     | ○     | ○     | ○     | ○     | ○          | ○          | ○     |
| Back-Up Alarm                                      | ●    | ●    | ●     | ●     | ●     | ●     | ●     | ●     | ●          | ●          | ●     |
| Brake Control (Auto / Manual)                      | ○    | ○    | ○     | ○     | ○     | ○     | ○     | ○     | ○          | ○          | ○     |
| Counterweight                                      |      |      | ●     | ●     | ●     | ●     | ●     | ●     | ●          | ○          |       |
| Hydraglide™ Ride Control <sup>3</sup>              |      |      |       | ●     | ●     | ●     | ●     | ●     | ○          | ○          | ○     |
| Hydraloc™ Safety System                            | ○    | ○    | ○     | ○     | ○     | ○     | ○     | ○     | ○          | ○          | ○     |
| Hydrostatic Drive                                  | ○    | ○    | ○     | ○     | ○     | ○     | ○     | ○     | ○          | ○          | ○     |
| Lift Arm Support Device                            | ○    | ○    | ○     | ○     | ○     | ○     | ○     | ○     | ○          | ○          | ○     |
| Switchable Self-Leveling Hydraulic Lift Action     | ●    | ●    | ●     | ●     | ●     | ●     | ●     | ●     | ●          | ●          | ○     |
| Two-Speed Drive                                    |      |      |       |       | ●     | ●     | ●     | ●     | ○          | ○          | ○     |